

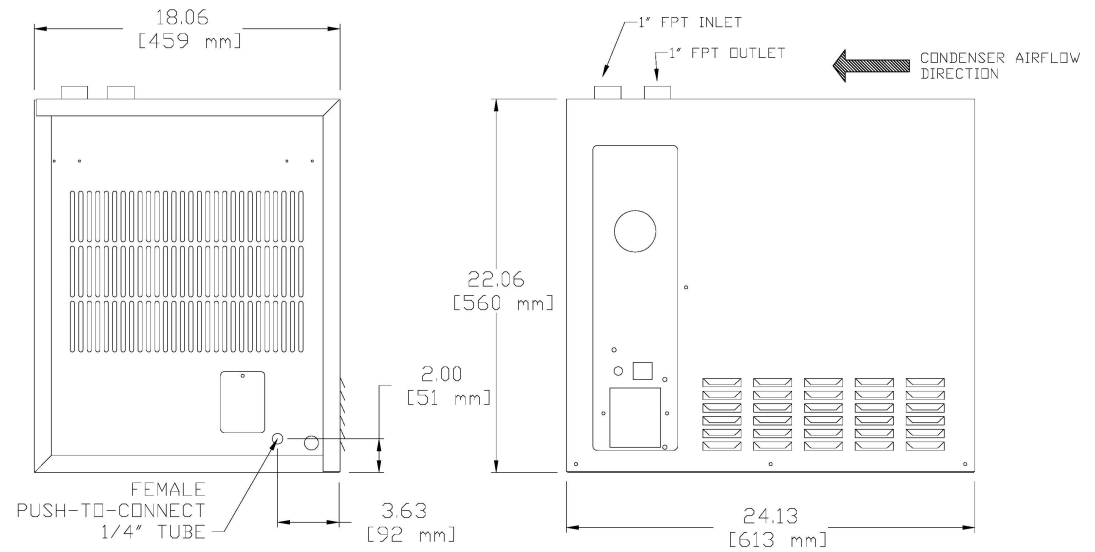
**REFRIGERATED NON-CYCLING**

**COMPRESSED AIR DRYERS**

**DHT SERIES**

**MODEL DHT-40**  
**40 SCFM HIGH-TEMP REFRIGERATED NON-CYCLING**  
**AIR DRYER**

Aircel's DHT line of high-temperature refrigerated dryers are focused on reliable, constant dewpoint performance in all flow conditions. With its excellent heat transfer coefficients and low pressure drop, these dryers will outperform the competition in protecting your compressed air system, machinery and tools; and will improve your manufacturing processes.



MODEL DHT-40 DIMENSIONS

**STANDARD FEATURES**

- ◇ Patented High Efficiency four Stage Aluminum Block Heat Exchanger
- ◇ Integrated Regenerating Heat Exchanger Prevents "Sweating" of Pipes
- ◇ Moisture Separator Integrated into Heat Exchanger
- ◇ Hot Gas Bypass Valve for Low-Load Condition
- ◇ Heavy Duty Industrial Powder Coated Steel Cabinet with Access Panel
- ◇ Refrigerant Suction Gauge
- ◇ Environmentally Friendly R-134a Refrigerant
- ◇ Refrigerant Liquid Line Filter

**AVAILABLE OPTIONS**

- ◇ Water Cooled Condenser
- ◇ Corrosive Environment Protection
- ◇ Elevated NEMA Ratings Through NEMA 7 Class I, Division I
- ◇ Pre-Sized Filter Package
- ◇ Dryer Bypass System
- ◇ Additional Gauges: Air Temperature, Air Pressure, Refrigerant Discharge
- ◇ Stainless Steel Piping
- ◇ Alternate Voltages

Contact an Aircel representative for assistance with custom requirements.

**MECHANICAL SPECS**

Flow Capacity, 38°F Dew-point	40 SCFM
Inlet Air Pressure, Design / Max	175 / 200 PSIG
Inlet Air Temperature, Design / Max <sup>1</sup>	180 / 205 °F
Ambient Air Temperature, Design / Max / Min <sup>1</sup>	100 / 120 / 40 °F
Pressure Loss, Design	0.8 PSI
Condenser Type	Air Cooled
Cooling Air Flow	300 CFM
Heat Rejection	7.4 kBTU/hr
Air Connections	1" FPT
Condensate Connection	1/4" Tube
Unit Weight	132 LBS

**ELECTRICAL SPECS**

Power Connection	115-1-60
Full Load Power	0.90 kW
Rated Load	10.7 A
NEMA Rating	1



AIRCEL LLC  
 323 CRISP CIRCLE  
 MARYVILLE, TENNESSEE  
 37801

PHONE  
 (800) 767-4599  
 LOCAL: (865) 681-7066  
 FAX: (865) 681-7069

SALES INFORMATION  
 sales@airceldryers.com  
 REQUEST LITERATURE:  
 litrequest@airceldryers.com

<sup>1</sup> Unit performance may be reduced at elevated inlet and/or ambient temperatures.