

**REFRIGERATED NON-CYCLING**

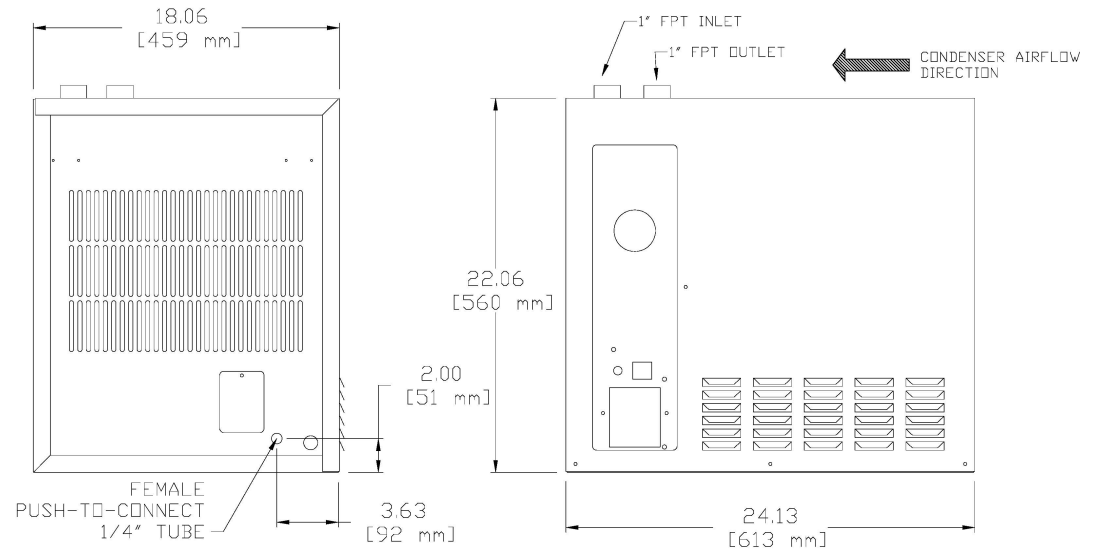
**COMPRESSED AIR DRYERS**

**VF SERIES**

**MODEL VF-75**

**75 SCFM REFRIGERATED NON-CYCLING AIR DRYER**

Aircel's VF line of refrigerated dryers are focused on reliable, constant dewpoint performance in all flow conditions. With its excellent heat transfer coefficients and low pressure drop, these dryers will outperform the competition in protecting your compressed air system, machinery and tools; and will improve your manufacturing processes.



MODEL VF-75 DIMENSIONS

**STANDARD FEATURES**

- ◇ Stainless Steel Plate Heat Exchanger
- ◇ Integrated Regenerating Heat Exchanger Prevents "Sweating" of Pipes
- ◇ Moisture Separator Integrated into Heat Exchanger
- ◇ Constant Pressure Expansion Valve for Low Load Condition
- ◇ Heavy Duty Industrial Powder Coated Steel Cabinet with Access Panel
- ◇ Refrigerant Suction Gauge
- ◇ Environmentally Friendly R-134a Refrigerant
- ◇ Refrigerant Liquid Line Filter
- ◇ Adjustable Automatic Timer Drain

**AVAILABLE OPTIONS**

- ◇ Water Cooled Condenser
- ◇ Corrosive Environment Protection
- ◇ NEMA 4 and 4X Available
- ◇ Pre-Sized Filter Package
- ◇ Dryer Bypass System
- ◇ Additional Gauges: Air Temperature, Air Pressure, Refrigerant Discharge
- ◇ Stainless Steel Piping
- ◇ Alternate Voltages

Contact an Aircel representative for assistance with custom requirements.

**MECHANICAL SPECS**

Flow Capacity, 38°F Dew-point	75 SCFM
Inlet Air Pressure, Design / Max	100 / 200 PSIG
Inlet Air Temperature, Design / Max <sup>1</sup>	100 / 140 °F
Ambient Air Temperature, Design / Max / Min <sup>1</sup>	100 / 120 / 40 °F
Pressure Loss, Design	3.5 PSI
Condenser Type	Air Cooled
Cooling Air Flow	220 CFM
Heat Rejection	4.7 kBTU/hr
Air Connections	1" FPT
Condensate Connection	1/4" Tube
Unit Weight	128 LBS

**ELECTRICAL SPECS**

Power Connection	115-1-60
Full Load Power	0.58 kW
Rated Load	6.9 A
NEMA Rating	1



AIRCEL LLC  
323 CRISP CIRCLE  
MARYVILLE, TENNESSEE  
37801

PHONE  
(800) 767-4599  
LOCAL: (865) 681-7066  
FAX: (865) 681-7069

SALES INFORMATION  
sales@airceldryers.com  
REQUEST LITERATURE:  
litrequest@airceldryers.com

<sup>1</sup> Unit performance may be reduced at elevated inlet and/or ambient temperatures.