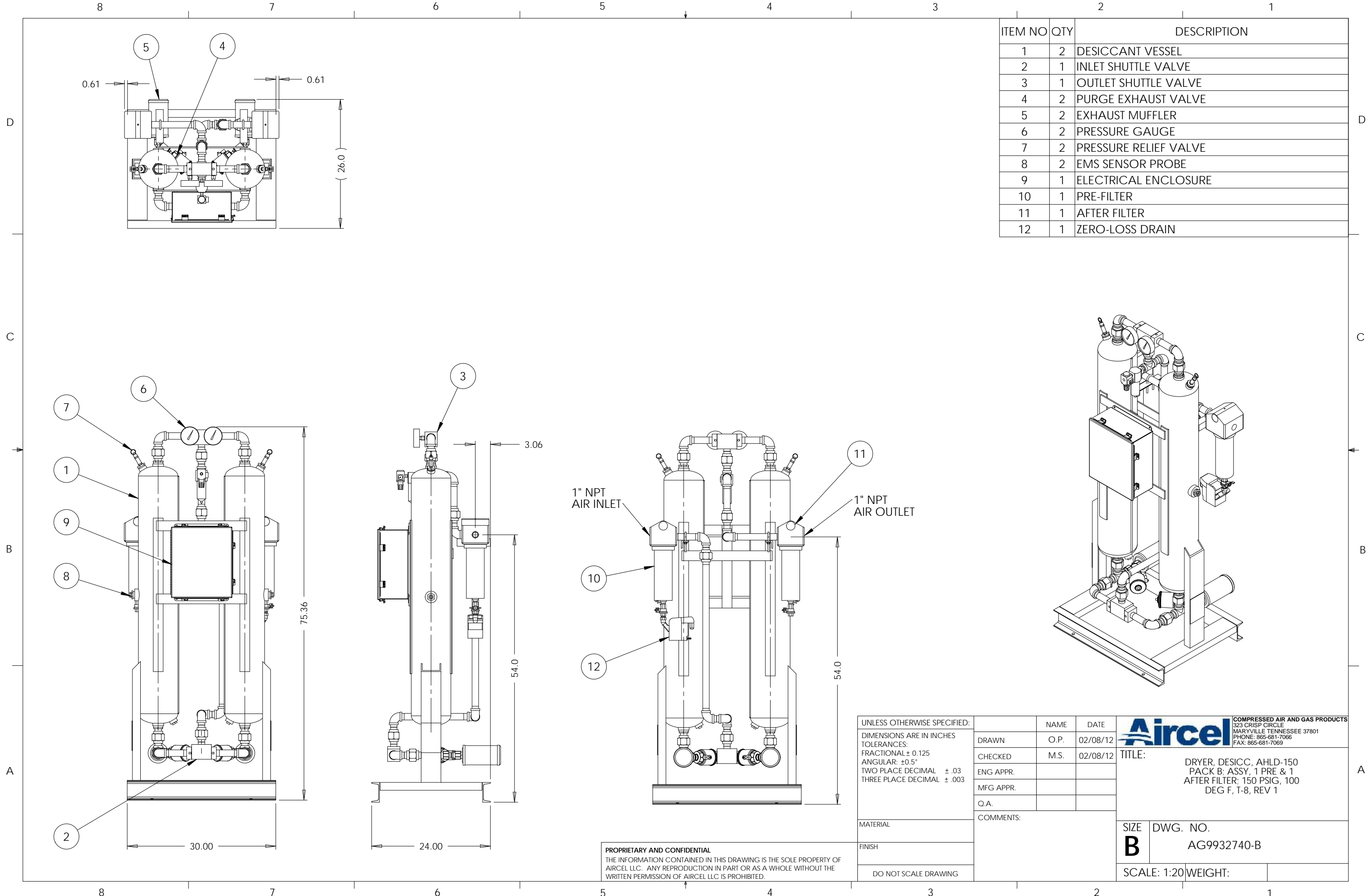


ITEM NO	QTY	DESCRIPTION
1	2	DESICCANT VESSEL
2	1	INLET SHUTTLE VALVE
3	1	OUTLET SHUTTLE VALVE
4	2	PURGE EXHAUST VALVE
5	2	EXHAUST MUFFLER
6	2	PRESSURE GAUGE
7	2	PRESSURE RELIEF VALVE
8	2	EMS SENSOR PROBE
9	1	ELECTRICAL ENCLOSURE
10	1	PRE-FILTER
11	1	AFTER FILTER
12	1	ZERO-LOSS DRAIN



UNLESS OTHERWISE SPECIFIED:  
 DIMENSIONS ARE IN INCHES  
 TOLERANCES:  
 FRACTIONAL ± 0.125  
 ANGULAR: ± 0.5°  
 TWO PLACE DECIMAL ± .03  
 THREE PLACE DECIMAL ± .003

MATERIAL  
 FINISH  
 DO NOT SCALE DRAWING

	NAME	DATE
DRAWN	O.P.	02/08/12
CHECKED	M.S.	02/08/12
ENG APPR.		
MFG APPR.		
Q.A.		

**Aircel** COMPRESSED AIR AND GAS PRODUCTS  
 323 CRISP CIRCLE  
 MARYVILLE TENNESSEE 37801  
 PHONE: 865-681-7066  
 FAX: 865-681-7069

TITLE: DRYER, DESICC, AHLD-150  
 PACK B: ASSY, 1 PRE & 1  
 AFTER FILTER, 150 PSIG, 100  
 DEG F, T-8, REV 1

SIZE DWG. NO.  
**B** AG9932740-B  
 SCALE: 1:20 WEIGHT:

PROPRIETARY AND CONFIDENTIAL  
 THE INFORMATION CONTAINED IN THIS DRAWING IS THE SOLE PROPERTY OF  
 AIRCEL LLC. ANY REPRODUCTION IN PART OR AS A WHOLE WITHOUT THE  
 WRITTEN PERMISSION OF AIRCEL LLC IS PROHIBITED.