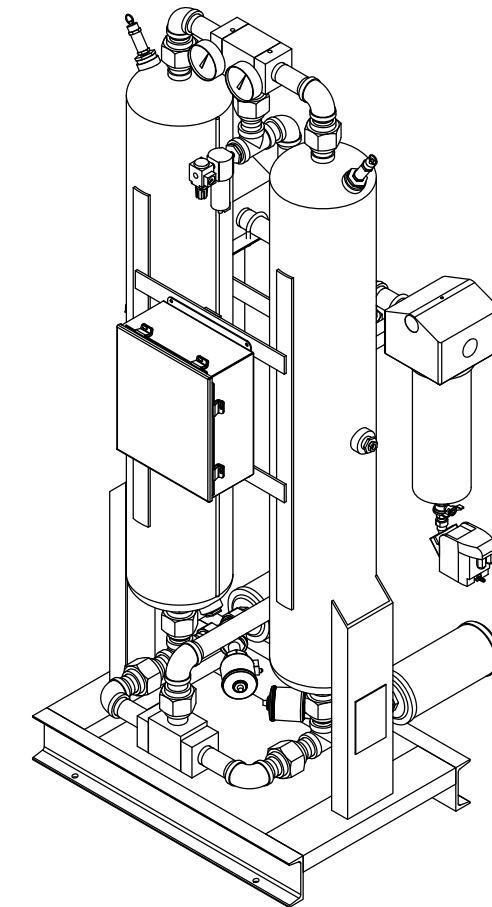


ITEM NO	QTY	DESCRIPTION
1	2	DESICCANT VESSEL
2	1	INLET SHUTTLE VALVE
3	1	OUTLET SHUTTLE VALVE
4	2	PURGE EXHAUST VALVE
5	2	EXHAUST MUFFLER
6	2	PRESSURE GAUGE
7	2	PRESSURE RELIEF VALVE
8	2	EMS SENSOR PROBE
9	1	ELECTRICAL ENCLOSURE
10	1	PRE-FILTER
11	1	AFTER FILTER
12	1	ZERO-LOSS DRAIN



UNLESS OTHERWISE SPECIFIED:  
 DIMENSIONS ARE IN INCHES  
 TOLERANCES:  
 FRACTIONAL ± 0.125  
 ANGULAR: ± 0.5°  
 TWO PLACE DECIMAL ± .03  
 THREE PLACE DECIMAL ± .003

MATERIAL			
FINISH			
DO NOT SCALE DRAWING			

	NAME	DATE
DRAWN	TF	2/21/12
CHECKED	MS	2/21/12
ENG APPR.		
MFG APPR.		
Q.A.		
COMMENTS:		

**Aircel** COMPRESSED AIR AND GAS PRODUCTS  
 323 CRISP CIRCLE  
 MARYVILLE TENNESSEE 37801  
 PHONE: 865-681-7066  
 FAX: 865-681-7069

TITLE:  
**DRYER, DESICC, AHLD-250  
 PACK B; ASSY, 1 PRE & 1  
 AFTER FILTER; 150 PSIG, 100  
 DEG F, T-10, REV 1**

SIZE DWG. NO.  
**B** AG9932940-B

SCALE: 1:12 WEIGHT:

**PROPRIETARY AND CONFIDENTIAL**  
 THE INFORMATION CONTAINED IN THIS DRAWING IS THE SOLE PROPERTY OF  
 AIRCEL LLC. ANY REPRODUCTION IN PART OR AS A WHOLE WITHOUT THE  
 WRITTEN PERMISSION OF AIRCEL LLC IS PROHIBITED.