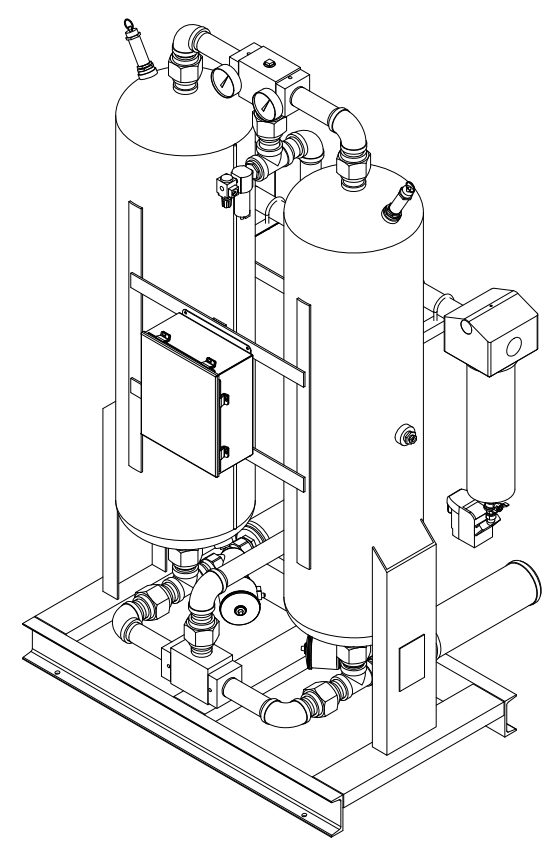


ITEM NO	QTY	DESCRIPTION
1	2	DESICCANT VESSEL
2	1	INLET SHUTTLE VALVE
3	1	OUTLET SHUTTLE VALVE
4	2	PURGE EXHAUST VALVE
5	2	EXHAUST MUFFLER
6	2	PRESSURE GAUGE
7	2	PRESSURE RELIEF VALVE
8	2	EMS SENSOR PROBE
9	1	ELECTRICAL ENCLOSURE
10	1	PRE-FILTER
11	1	AFTER FILTER
12	1	ZERO-LOSS DRAIN



<p>UNLESS OTHERWISE SPECIFIED:</p> <p>DIMENSIONS ARE IN INCHES</p> <p>TOLERANCES:</p> <p>FRACTIONAL ± 0.125</p> <p>ANGULAR: ±0.5°</p> <p>TWO PLACE DECIMAL ± .03</p> <p>THREE PLACE DECIMAL ± .003</p>		NAME	DATE	<p>COMPRESSED AIR AND GAS PRODUCTS 323 CRISP CIRCLE MARYVILLE TENNESSEE 37801 PHONE: 865-681-7066 FAX: 865-681-7069</p>	
	DRAWN	O.P.	02/08/12		
	CHECKED	M.S.	02/08/12		
	ENG APPR.				
MFG APPR.					
Q.A.					
MATERIAL	COMMENTS:			<p>TITLE:</p> <p>DRYER, DESICC, AHLD-600 PACK B; ASSY, 1 PRE & 1 AFTER FILTER; 150 PSIG, 100 DEG F, T-16, REV 1</p>	
FINISH	SIZE		DWG. NO.		
DO NOT SCALE DRAWING	B		AG9933440-B		
				SCALE: 1:20	WEIGHT:

PROPRIETARY AND CONFIDENTIAL
 THE INFORMATION CONTAINED IN THIS DRAWING IS THE SOLE PROPERTY OF AIRCEL LLC. ANY REPRODUCTION IN PART OR AS A WHOLE WITHOUT THE WRITTEN PERMISSION OF AIRCEL LLC IS PROHIBITED.